



Global Xpress

Model: FV-60GX



Full Inmarsat Global Xpress (GX) Support Easy installation, light and compact antenna

- ▶ Reliable access to the full range of Inmarsat Fleet Xpress systems
- ▶ Automatic motor brakes protect Antenna unit during shipping, installation and no-power situations
- ▶ Easy installation
 - 65 cm compact and light-weight antenna (34 kg)
 - One cable between Antenna Unit and Antenna Control Unit
- ▶ Automatic Azimuth Calibration and Automatic Cable Calibration enable quick use
- ▶ Remote access and diagnostics
- ▶ Global customer support and technical services provided by FURUNO worldwide service network

Specifications

ANTENNA UNIT		
Reflector size	25.5 inch	
Polarization	Circular cross-pol	
Frequency band	Tx	29.0 to 30.0 GHz
	Rx	19.2 to 20.2 GHz
Antenna gain	Tx	43.4 dBi typical at 29.5 GHz (excluding radome)
	Rx	40.4 dBi typical at 19.7GHz (excluding radome)
System G/T	17.2 dB/K typ. at 19.7 GHz at 10° elevation and clear sky (including radome)	
Ship motion	Roll: ±25°(6s), Pitch: ±15°(4s), Yaw: ±10°(10s), Turning rate: ±15°/s	
Wind resistance	80 kn operational	

ANTENNA CONTROL UNIT (ACU)		
Display	Web interface, OLED (red) display, 3 discrete indicator LEDs	
Interface	Number of ports	Ethernet: 4 ports, 100Base-T, RJ45 RS-422: 1 port for VSAT modem control, Dsub-9P RS-232: 1 port for VSAT modem control, Dsub-9P NMEA0183 (RS-422/232) and NMEA2000 for gyro/GPS compass, multi-connector
	Modem control	Generic, iDirect openAMIP protocol and custom protocol

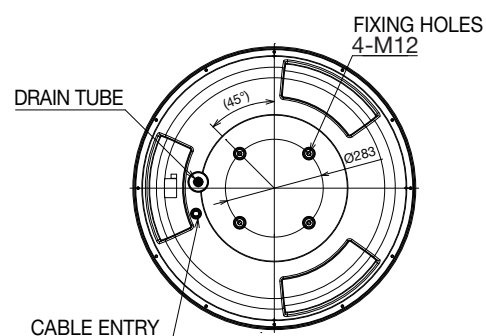
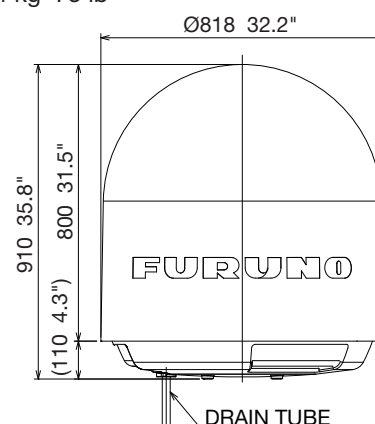
GX MODEM UNIT (GMU)		
Display	Web interface, power LED	
Interface	Number of ports	Ethernet: 1 port, 100Base-T, RJ45 RS-422: 1 port for modem control, Dsub-9P RS-232: 2 port for modem control and modem console, Dsub-9P
	Modem control	iDirect openAMIP protocol, RS-422 & RS-232
Temperature control	Built-in fan and heater	

POWER SUPPLY		
ACU	100-240 VAC: 2.4-1.0 A, 1 phase, 50-60Hz	
GMU	100-240 VAC, 1 phase, 50/60Hz	
UPS (option)	E11A102B001UJ	Input: 100/110/115/120 VAC, 1 phase, 50/60Hz Output: 100 VAC, 700/1000VA
	E11A102B002UJ	Input: 200/220/230/240 VAC, 1 phase, 50/60Hz Output: 230 VAC, 700/1000VA Back-up period: 5 min (700 W), Charge time: 12 hr typical

ENVIRONMENTAL CONDITIONS		
Ambient temperature	Antenna unit	-25°C to +55°C (storage: -40°C to +85°C)
	ACU/GMU	-25°C to +55°C (storage: -40°C to +85°C)
	UPS	-15°C to +55°C (storage: -40°C to +85°C)
Relative humidity	Antenna unit	100% condensing
	Others	95% or less at +40°C
Degree of protection	Antenna unit	IPX6
	ACU/GMU	IP30
	UPS	IPX0
Vibration	IEC 60945 Ed.4	

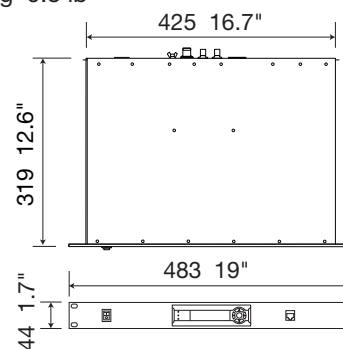
ANTENNA UNIT

34 kg 75 lb



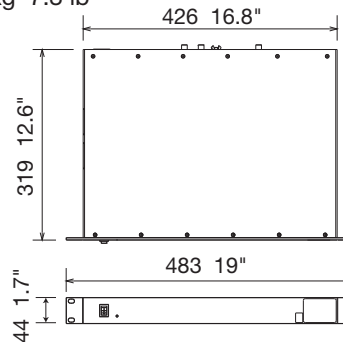
ANTENNA CONTROL UNIT (ACU)

4.2 kg 9.3 lb



GX MODEM UNIT (GMU)

3.3 kg 7.3 lb



Beware of similar products

All brand and product names are registered trademarks, trademarks or service marks of their respective holders.

SPECIFICATIONS SUBJECT TO CHANGE WITHOUT NOTICE

FURUNO ELECTRIC CO., LTD.
Japan | www.furuno.com
FURUNO U.S.A., INC.
U.S.A. | www.furunousa.com
FURUNO PANAMA S.A.
Republic of Panama | www.furuno.com.pa
FURUNO (UK) LIMITED
U.K. | www.furuno.co.uk
FURUNO NORGE A/S
Norway | www.furuno.no

FURUNO DANMARK A/S
Denmark | www.furuno.dk
FURUNO SVERIGE AB
Sweden | www.furuno.se
FURUNO FINLAND OY
Finland | www.furuno.fi
FURUNO POLSKA Sp. Z o.o.
Poland | www.furuno.pl
FURUNO DEUTSCHLAND GmbH
Germany | www.furuno.de

FURUNO FRANCE S.A.S.
France | www.furuno.fr
FURUNO ESPAÑA S.A.
Spain | www.furuno.es
FURUNO ITALIA S.R.L.
Italy | www.furuno.it
FURUNO HELLAS S.A.
Greece | www.furuno.gr
FURUNO (CYPRUS) LTD
Cyprus | www.furuno.com.cy

FURUNO EURUS LLC
Russian Federation | www.furuno.ru
FURUNO SHANGHAI CO., LTD.
China | www.furuno.com/cn
FURUNO CHINA CO., LTD.
Hong Kong | www.furuno.com/cn
FURUNO KOREA CO., LTD
Korea
FURUNO SINGAPORE
Singapore | www.furuno.sg

PT FURUNO ELECTRIC INDONESIA
Indonesia | www.furuno.id
FURUNO ELECTRIC (MALAYSIA) SND. BHD.
Malaysia | www.furuno.my